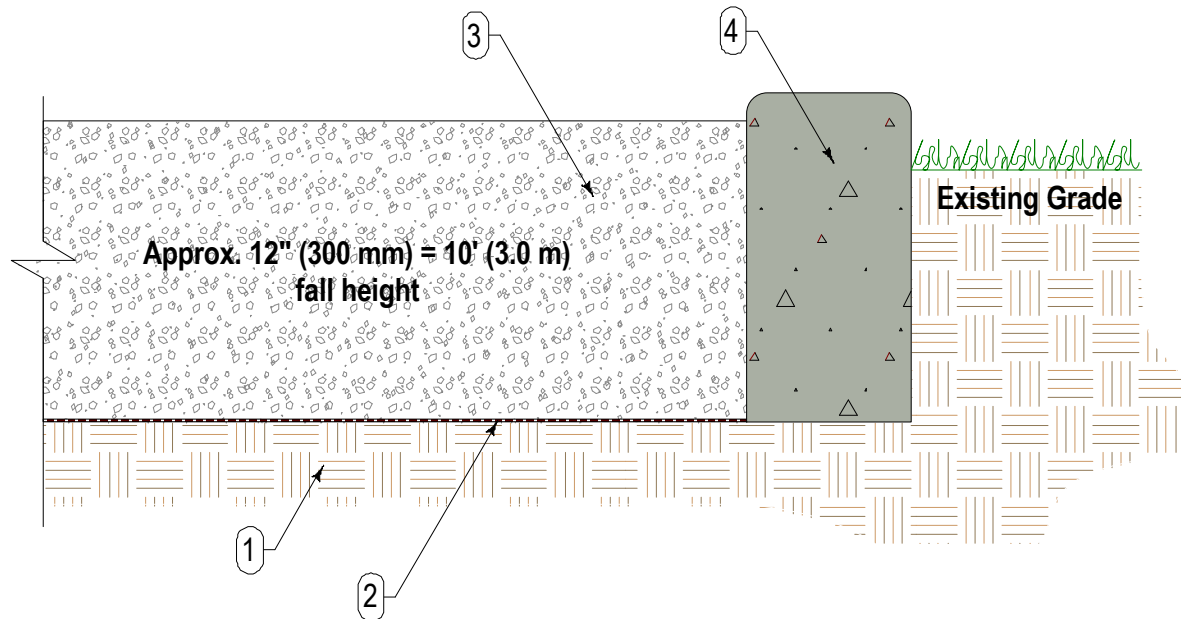


## Notes

1. Existing Permeable or Impermeable Subgrade - Undisturbed or graded if required.
2. Geotextile Fabric - 220R Terrafix or approved equivalent, with double bead of exterior grade construction adhesive applied to standard 12" (300 mm) seam overlaps.
3. Protective Surfacing - 3/8" (75 mm) round Pea Gravel or CSA/ASTM approved equivalent. Depth will vary dependant on fall height requirement.
4. Concrete Curb Perimeter (optional) - Standard 6" (150 mm) poured concrete curb or similar, variable depth, raised or flush with grade.



\*Note: Drawing Not-to-Scale (for illustrative purposes only)



ACTIVE Playground Equipment  
124-B Kendall St.  
Point Edward, ON  
Canada  
N7S 4G5

1.800.463.2361

[info@ApePlayground.com](mailto:info@ApePlayground.com)

Standard Base Prep:

Pea Gravel  
Below Grade  
Concrete Curb Perimeter

