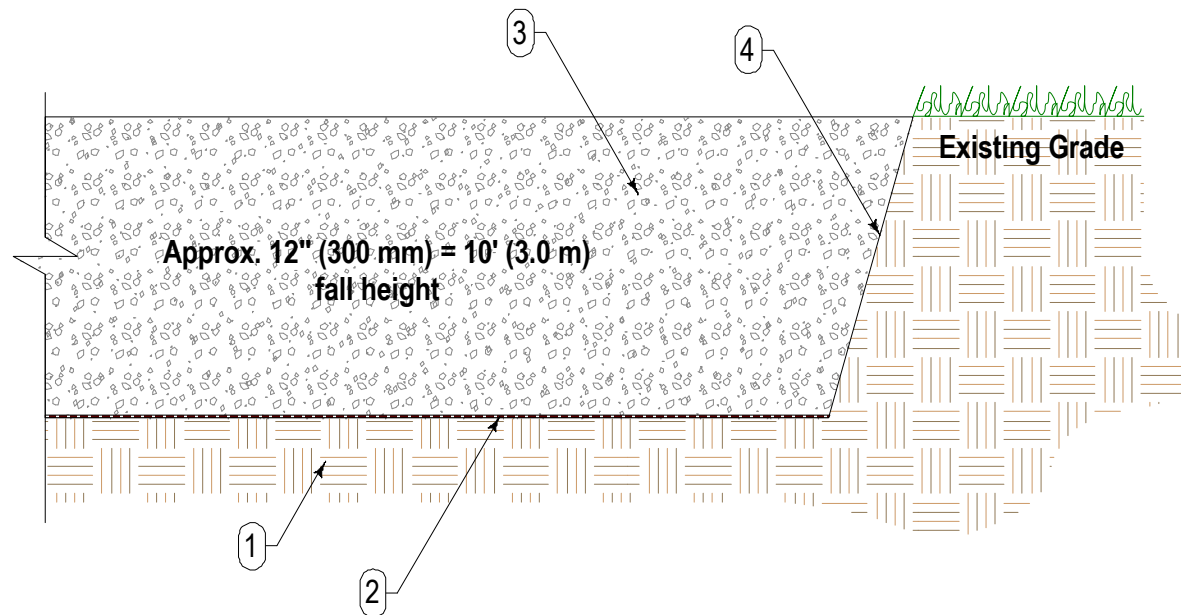


Notes

1. Existing Permeable or Impermeable Subgrade - Undisturbed or graded if required.
2. Geotextile Fabric - 220R Terrafix or approved equivalent, with double bead of exterior grade construction adhesive applied to standard 12" (300 mm) seam overlaps.
3. Protective Surfacing - 3/8" (75 mm) round Pea Gravel or CSA/ASTM approved equivalent. Depth will vary dependant on fall height requirement.
4. Excavated Subsoil Perimeter - Vertical or sloped excavation with optional geotextile fabric covering.



*Note: Drawing Not-to-Scale (for illustrative purposes only)



ACTIVE Playground Equipment
124-B Kendall St.
Point Edward, ON
Canada
N7S 4G5

1.800.463.2361

info@ApePlayground.com

Standard Base Prep:

Pea Gravel
Below Grade
No Perimeter (Excavated
Subsoil)

