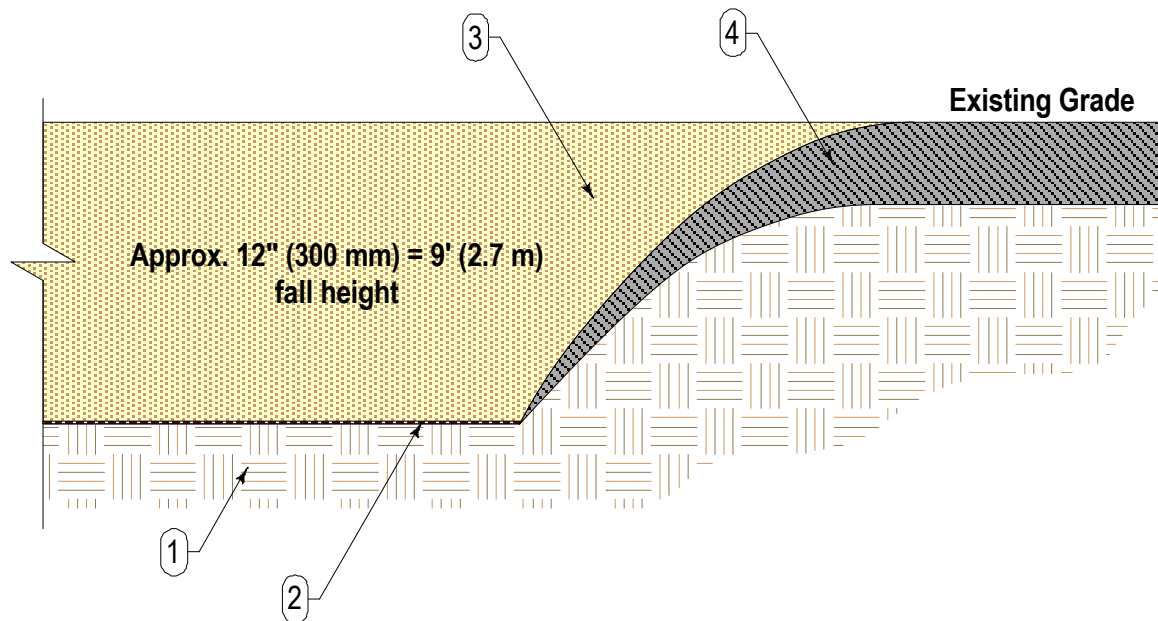


Notes

1. Existing Permeable or Impermeable Subgrade - Undisturbed or graded if required.
2. Geotextile Fabric - 220R Terrafix or approved equivalent, with double bead of exterior grade construction adhesive applied to standard 12" (300 mm) seam overlaps.
3. Protective Surfacing - Play Sand (triple washed) or CSA/ASTM approved equivalent. Depth will vary dependant on fall height requirement.
4. Rounded Asphalt Path Perimeter (optional) - Standard bituminous asphalt mix, sloped to excavated base from grade.



*Note: Drawing Not-to-Scale (for illustrative purposes only)



ACTIVE Playground Equipment
124-B Kendall St.
Point Edward, ON
Canada
N7S 4G5

1.800.463.2361

info@ApePlayground.com

Standard Base Prep:

Play Sand
Below Grade
Rounded Asphalt Path
Perimeter

