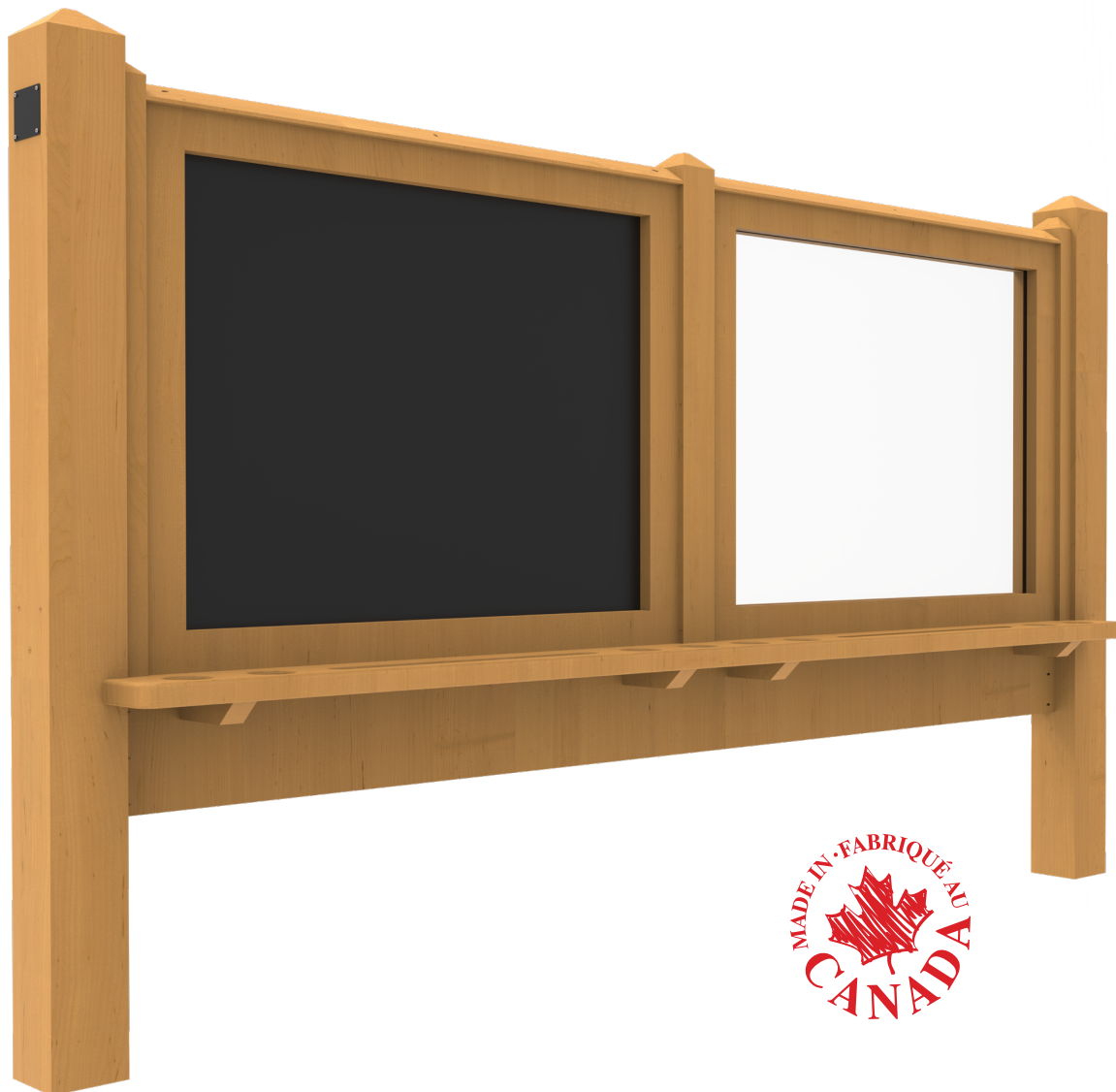


# NATURAL PLAY PANELS

## Chalkboard & Paint Panel Freestanding Deluxe

NAT-000103



- Wooden ledge with cup-holders for easy paint storage during use
- Easy to clean with mild soap and water
- Can be used on both sides if space allows

Helping children discover their inner Picasso, the paint panel is an outlet for creativity and aides in developing a myriad of skills. Featuring a wooden tray with cupholder for easy paint storage during use, the panel can be utilized on both sides for maximum creative opportunity. The paint panel allows children's passion for play to be expressed in a tangible way. The panel can be easily cleaned with soap and water. Paint panels are available in large or small size, freestanding or wall mount options.



### Motor Skills

- Hand-Eye Coordination
- Balance
- Coordination
- Crossing at the Midline
- Motor Planning
- Hand Arches
- Pincer Grasp



### Cognitive

- Problem Solving (Logic & Reasoning)
- Focus
- Attention
- Comprehension



### Social/Emotional

- Turn-Taking
- Sharing
- Parallel or Cooperative Play



### Communication

- Expressive & Receptive Language
- Pre-writing Skills



### Sensory Processing

- Tactile
- Visual
- Proprioceptive
- Vestibular



Play made easy!





# NATURAL PLAY PANELS

## Chalkboard & Paint Panel Freestanding Deluxe

NAT-000103



**Target Age**  
• 18 months to 5 years



**Use Area**  
• 12.6 m<sup>2</sup> / 135.7 ft<sup>2</sup>



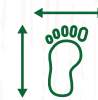
**Installation Type**  
• Moderate



**Estimated Weight**  
• 180 lb



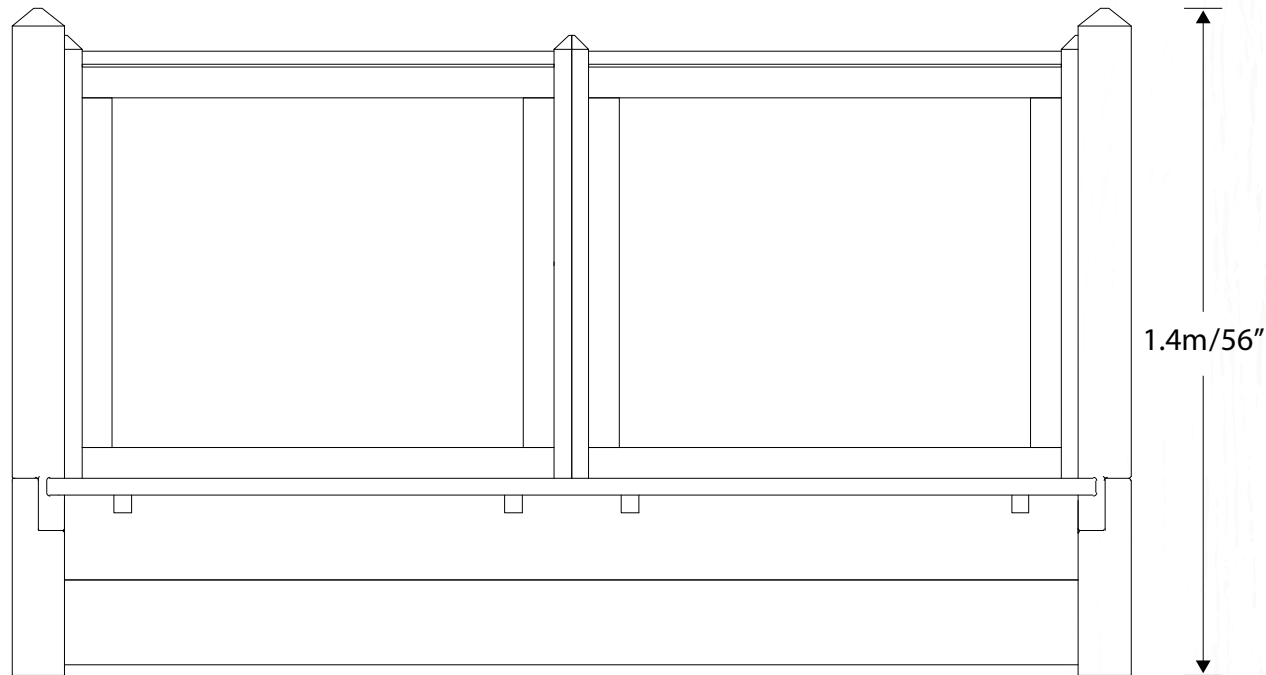
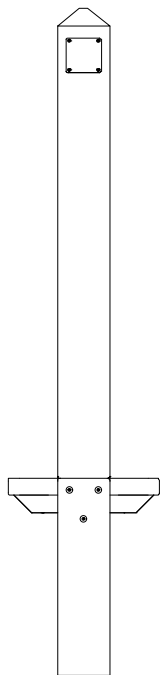
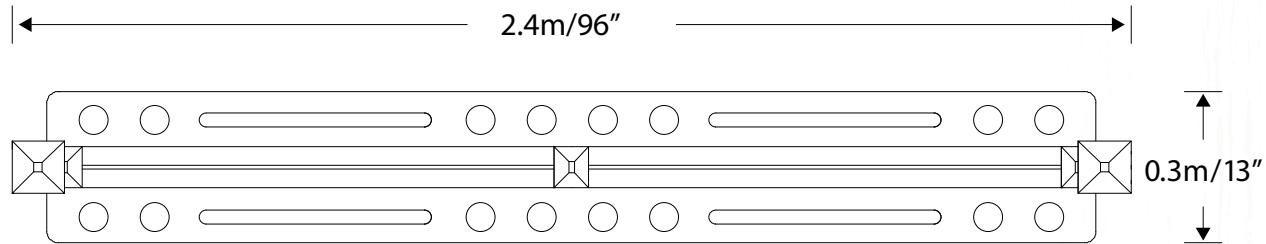
**Safety Surfacing**  
• Not Required



**Dimensions**  
• ≈ 2.4m x 0.3m x 1.4m  
• ≈ 96" x 13" x 56"



**Materials**  
• Pressure Treated Lumber  
• Cedar  
• Paint Panel



**Please contact APE for a site plan for your playground to ensure CSA compliance and spacing requirements.**

Active Playground Equipment reserves the right to redesign, change or discontinue products without written notice. Products in our printed literature and detailed in our quotations may differ from what is available at the time an order is placed. Please check with your Active Playground representative to confirm that the product you will receive is what you are expecting.

