

NATURAL PLAY PANELS

Paint Panel Freestanding Deluxe

NAT-000124



- Wooden ledge with cup-holders for easy paint storage during use
- Easy to clean with mild soap and water
- Can be used on both sides if space allows



Helping children discover their inner Picasso, the paint panel is an outlet for creativity and aides in developing a myriad of skills. Featuring a wooden tray with cupholder for easy paint storage during use, the panel can be utilized on both sides for maximum creative opportunity. The paint panel allows children's passion for play to be expressed in a tangible way. The panel can be easily cleaned with soap and water. Paint panels are available in large or small size, freestanding or wall mount options.



Motor Skills

- Hand-Eye Coordination
- Balance
- Coordination
- Crossing at the Midline
- Motor Planning
- Hand Arches
- Pincer Grasp



Cognitive

- Problem Solving (Logic & Reasoning)
- Focus
- Attention
- Comprehension



Social/Emotional

- Turn-Taking
- Sharing
- Parallel or Cooperative Play



Communication

- Expressive & Receptive Language
- Pre-writing Skills



Sensory Processing

- Tactile
- Visual
- Proprioceptive
- Vestibular

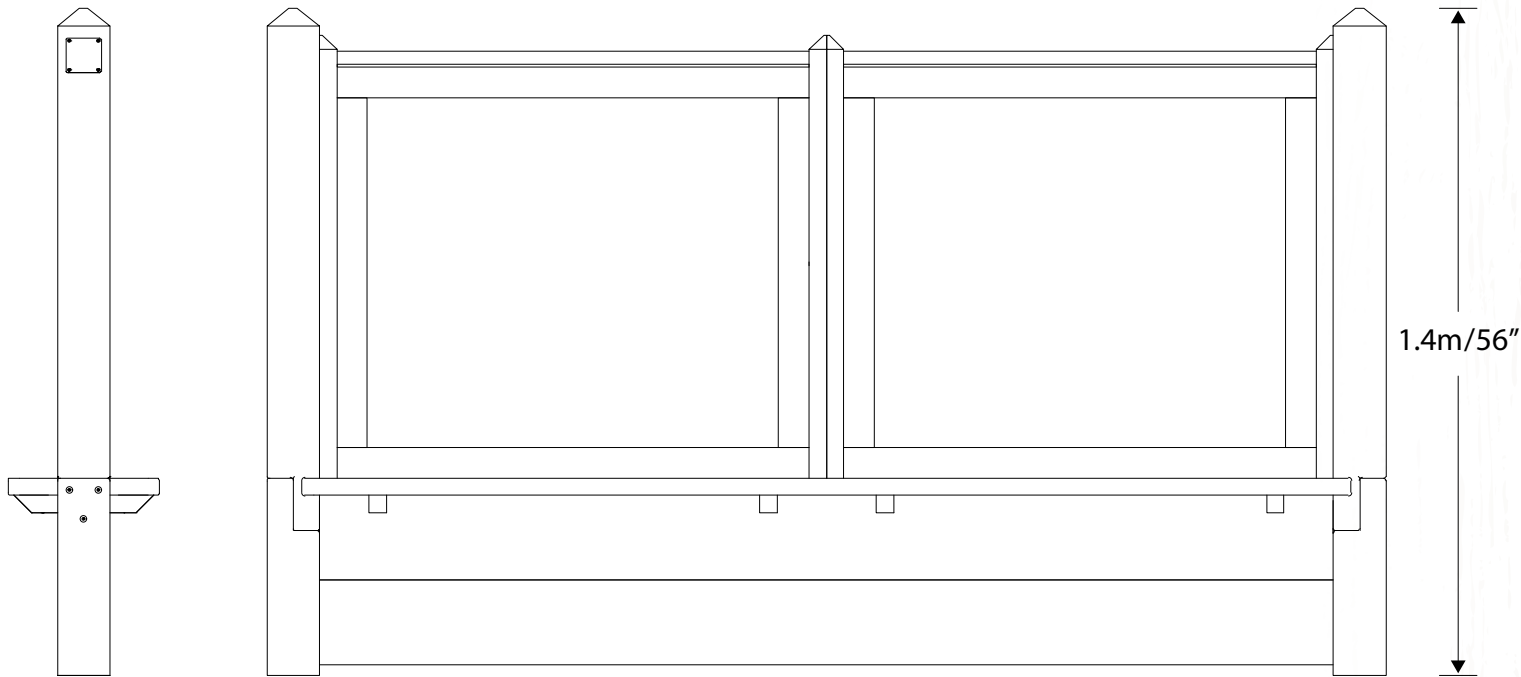
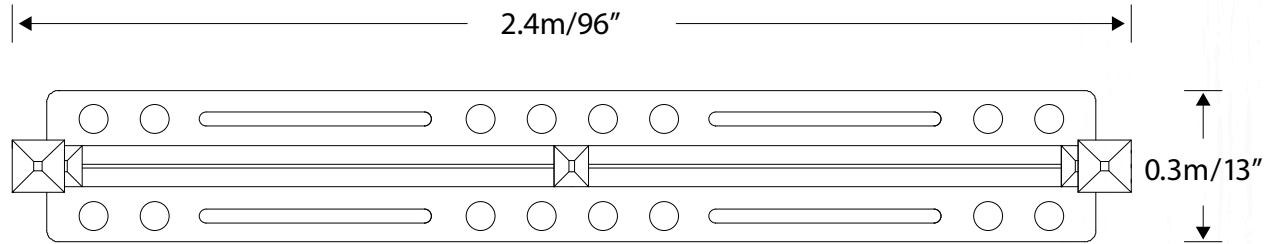


Play made easy!



NATURAL PLAY PANELS Paint Panel Freestanding Deluxe

NAT-000124



Target Age
• 18 months to 5 years



Use Area
• 12.6 m² / 135.7 ft²



Installation Type
• Moderate



Estimated Weight
• 180 lb



Safety Surfacing
• Not Required



Dimensions
• ≈ 2.4m x 0.3m x 1.4m
• ≈ 96" x 13" x 56"



Materials
• Pressure Treated Lumber
• Cedar
• Paint Panel

Please contact APE for a site plan for your playground to ensure CSA compliance and spacing requirements.

Active Playground Equipment reserves the right to redesign, change or discontinue products without written notice. Products in our printed literature and detailed in our quotations may differ from what is available at the time an order is placed. Please check with your Active Playground representative to confirm that the product you will receive is what you are expecting.

