

FREESTANDING PLAY VEHICLES

Safari Truck



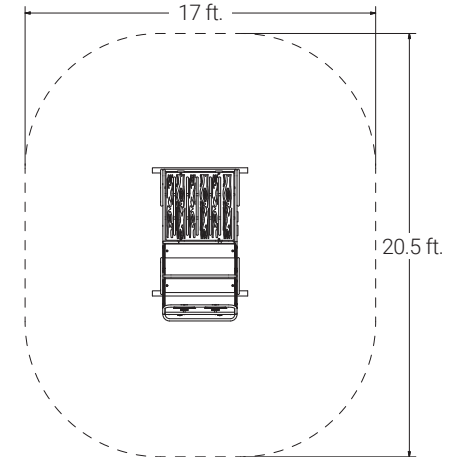
Freestanding Imaginative
Adventure Play

Product Dimensions: Length: 88" | Width: 45.5" | Height: 51"

Users: 6x

Please contact APE for a site specific plan for your playground to ensure compliance with spacing requirements.

Use Zone



Colours

STEEL: See "APE Steel Colour Chart" for colour options.

PLASTIC: See "APE HDPE Panel Colour Chart" for colour options.

Specifications

CSA Age Category: 18 mth. to 5 yrs.

Use Zone Area: 307 Sq. Ft.

Use Zone Dimensions: 17 Ft. x 20.5 Ft.

Use Zone Perimeter: 75 Ln. Ft.

CSA Fall Height: 5 Ft.



124 Kendall Street, Point Edward, ON

800-463-2361

info@apeplayground.com

www.apeplayground.com