

FREESTANDING PLAY VEHICLES

Tractor



Freestanding vehicle that encourages shared play with learning mazes and play activities

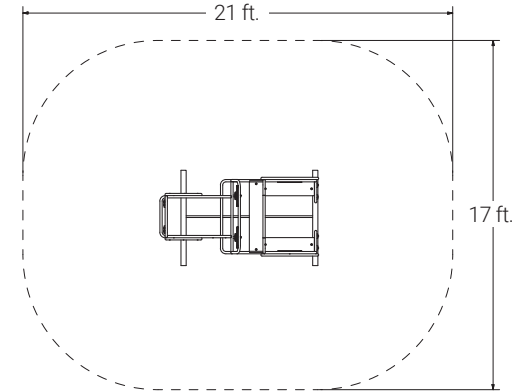
Product Dimensions: Length: 92" | Width: 45.5" | Height: 55"

Users:



Please contact APE for a site specific plan for your playground to ensure compliance with spacing requirements.

Use Zone



Colours

STEEL: See "APE Steel Colour Chart" for colour options.

PLASTIC: See "APE HDPE Panel Colour Chart" for colour options.

Specifications

CSA Age Category: 18 mth. to 5 yrs.

Use Zone Area: 311 Sq. Ft.

Use Zone Dimensions: 21 Ft. x 17 Ft.

Use Zone Perimeter: 76 Ln. Ft.

CSA Fall Height: 5 Ft.



124 Kendall Street, Point Edward, ON

800-463-2361

info@apeplayground.com

www.apeplayground.com