

FREESTANDING PLAY VEHICLES

Truck



Interactive freestanding vehicle that encourages shared imaginative play

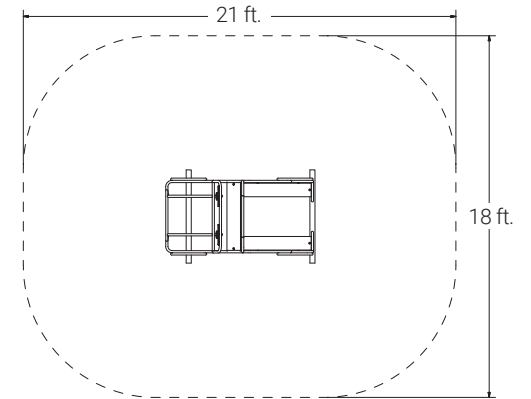
Product Dimensions: Length: 87.5" | Width: 45.5" | Height: 51" **Users:**



Please contact APE for a site specific plan for your playground to ensure compliance with spacing requirements.



Use Zone



Colours

STEEL: See "APE Steel Colour Chart" for colour options.

PLASTIC: See "APE HDPE Panel Colour Chart" for colour options.

Specifications

CSA Age Category: 18 mth. to 5 yrs.

Use Zone Area: 342 Sq. Ft.

Use Zone Dimensions: 21 Ft. x 18 Ft.

Use Zone Perimeter: 78 Ln. Ft.

CAS Fall Height: 5 Ft.



124 Kendall Street, Point Edward, ON



800-463-2361



info@apeplayground.com



www.apeplayground.com